

# General Accessories and System Components



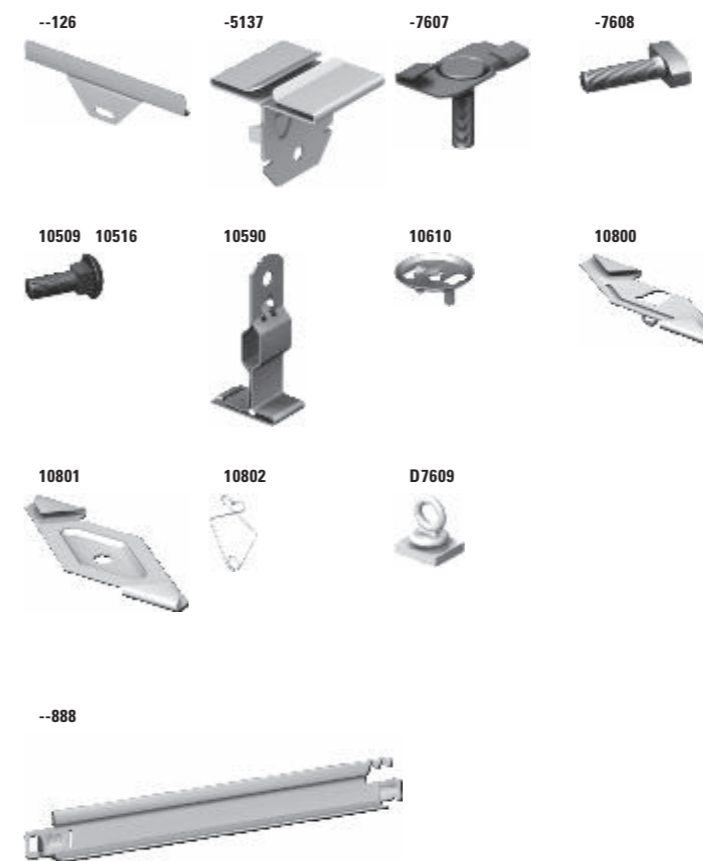
11004  
11005



PRODUCT		PER CARTON		
reference	description	pcs.	kg	m <sup>3</sup>
<b>Hook and butterfly clip</b>				
11004	lower part with 1 hook + clip / L=290mm	100	2,81	0,009
11005	lower part with 1 hook + clip / L=130mm	100	1,56	0,019

<b>Spacer bar</b>				
--8260013	spacer bar for 600/625 mm modules	50	6,81	0,005
--8261013	spacer bar for 500/525 mm modules	50	5,77	0,004
--827--13	Spacer Bar L=900 mm	50	9,54	0,006
--8280013	spacer bar for 1200/1250 mm modules	50	13,3	0,009
--8281013	spacer bar for 1000/1050 mm modules	50	11,23	0,008
99826--00	spacer bar	50	6,46	0,001
998261000	spacer bar for 500mm modules	50	5,3	0,001
998263000	spacer bar for 600mm modules	50	6,63	0,001
998263100	spacer bar for 625mm modules	50	6,63	0,001
998264800	spacer bar	50	5,14	0,001
998265000	spacer bar	50	5,35	0,001
99828--00	spacer bar	50	12,92	0,002
998281000	spacer bar for 1000mm	50	10,6	0,002
998283000	spacer bar for 1200mm modules	50	12,72	0,002
998283100	spacer bar for 1250mm modules	50	13,25	0,002
998285000	spacer bar	50	10,71	0,002

- For systems with a bead of 6.5 x 11mm.



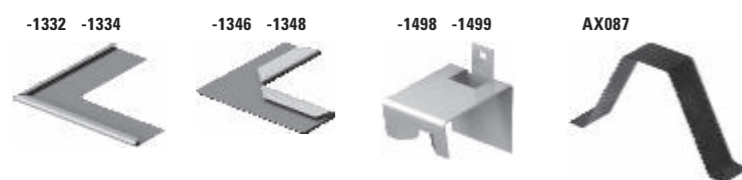
PRODUCT		PER CARTON		
reference	description	pcs.	kg	m <sup>3</sup>
<b>Hanger clip</b>				
--126	access clip for downward access trap - white painted	50	0,91	0,001
-5137	suspension clip for drywall ceilings	100	5,82	0,008
-7607	fixation clip with bolt M6	100	0,81	0,001
-7608	T-head bolt - M6x30	100	0,65	0,001
10509	bolt for 10801 - M6x9	100	0,4	-
10516	bolt for clip 10801 - M6x16	100	0,4	-
10590	fastener for heavy objects	100	2,75	0,011
10610	butterfly-nut M6	100	0,56	0,001
10800 <sup>1</sup>	fixation clip with eye for bolt M6	100	0,89	0,002
10801 <sup>2</sup>	fixation clip for bolt M6	100	0,89	0,002
10802	fixation clip for T15 and T24 profiles	50	0,02	-
D7609	Plastic hook for ultraline	100	0,1	-

<sup>1</sup> - Flange width = 24-35 mm  
- Max. load = 5 kg  
<sup>2</sup> - Flange width = 24-35 mm  
- Max. load = 6 kg

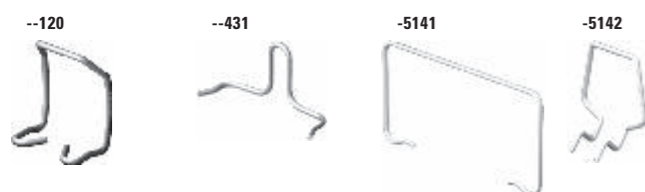
<b>Grid adapter</b>				
--88830001	grid adapter / L=225mm	150	4,83	0,019
--88831001	grid adapter / L=234,375mm	150	5,01	0,02

- Rotation of the main runners with 90°.

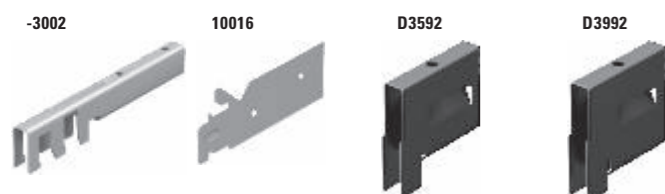
# General Accessories and System Components



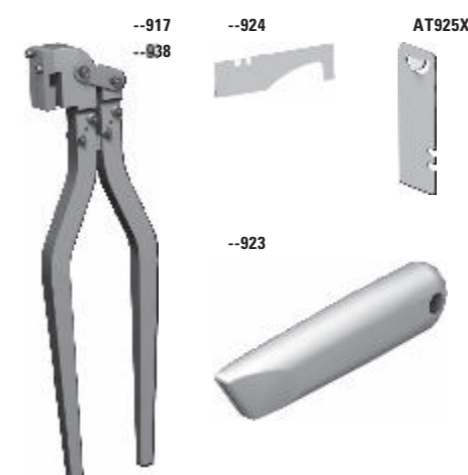
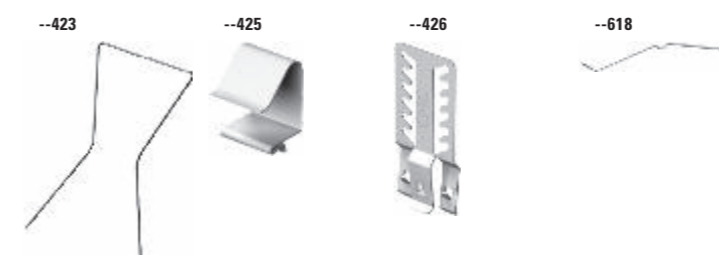
PRODUCT		PER CARTON		
reference	description	pcs.	kg	m <sup>3</sup>
<b>Wall clip</b>				
---88	wall clip	250	2,1	0,01
-1332--001	external corner for 19mm flange	100	0,59	0,001
-1332--08	external corner for 19mm flange	100	0,59	0,001
-1334--001	external corner for 24mm flange	100	0,58	0,001
-1334--02	external corner for 24mm flange	100	0,58	0,001
-1334--04	external corner for 24mm flange	100	0,58	0,001
-1334--08	external corner for 24mm flange	100	0,58	0,001
-1334--54	external corner for 24mm flange	100	0,58	0,001
-1334--57	external corner for 24mm flange	100	0,58	0,001
-1346--001	internal corner for 19mm flange	100	0,41	0,001
-1346--08	internal corner for 19mm flange	100	0,41	0,001
-1348--001	internal corner for 24mm flange	100	0,52	0,001
-1348--08	internal corner for 24mm flange	100	0,52	0,001
-1348--54	internal corner for 24mm flange	100	0,52	0,001
-1498	perimeter clip	500	8,8	0,026
-1499	perimeter clip	500	9,53	0,026
AX087X500P	wedge clip for metal tiles	500	4,03	0,02



PRODUCT		PER CARTON		
reference	description	pcs.	kg	m <sup>3</sup>
<b>Wire clip</b>				
--120	wire clip for Z with 38mm high T-runners	500	3,9	0,008
--431	spacer clip for 70, 72, 74 and 76	500	2,85	0,004
-5141--00	wire clip	500	4,2	0,01
-5142	wire clip	1000	6,2	0,008



PRODUCT		PER CARTON		
reference	description	pcs.	kg	m <sup>3</sup>
<b>Connecting clip</b>				
-3002	connecting clip for 38mm high T-runners	100	2,51	0,002
10016	connecting finger for 850, 7500 & 650	250	2,48	0,002
D3592	wall clip for system 3500	100	1,5	0,003
D3992	wall clip for system 3900	100	1,5	0,003



PRODUCT		PER CARTON		
reference	description	pcs.	kg	m <sup>3</sup>
<b>Hold-down clip</b>				
--423	hold-down clip for tiles of 25 mm	100	2,7	0,003
--425	demountable tile-clip for tiles +/-16 mm	200	0,73	0,001
--426 <sup>1</sup>	hold-down clip for tiles of min. 50 mm and max. 80 mm	100	0,72	0,002
--618	hold-down clip for tiles of min. 16 mm and max. 20 mm	100	1,12	0,004
--619	hold-down clip for tiles of min. 25 and max. 110 mm	100	3,84	0,002
--819	hold-down clip for tiles of max. 30 mm	500	2,25	0,006
--820	hold-down clip for tiles of +/- 16 mm	500	3,32	0,005
--935	hold-down clip - adjusts to different tile height	1000	7,44	0,016
<sup>1</sup> - Type 426 can be combined with spring type 423.				
<b>Tools</b>				
--917	slot puncher for system 3000	1	1,16	0,002
--923	access key for system 450	1	0,08	-
--924	spare blade for 923	1	0,01	-
--938	slot puncher for rectangular slots	1	1,18	0,002
AT925X500S	clip-in extracting blade	100	0,28	-