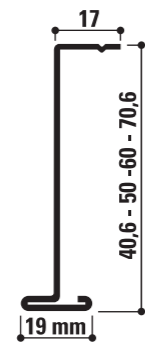


SYSTEM Z

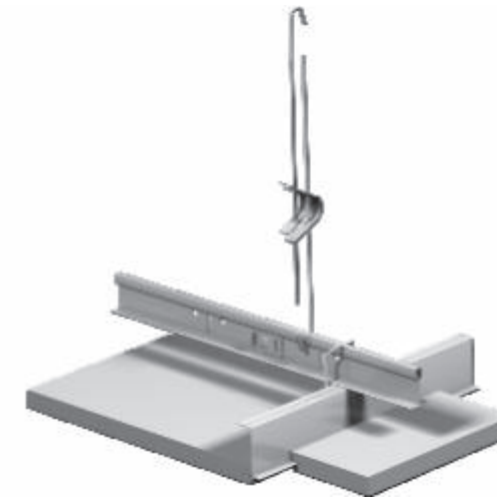
Concealed Z-shaped system for combination with T- and bandrastrer systems.
The system can be installed fully demountable.



Concealed Systems



Tiles



FACELINE™

Profiles

--Z40 --Z60
--Z50 --Z70



--113
--115



PRODUCT reference	DIMENSIONS		PER CARTON				PER PALLET		
	length	kg/pc	pcs.	m	kg	m ³	cart.	m ³	kg
Z-section									
--113--00	4000	1	20	80	19,93	0,02	80	1,36	1595
--115--00	4000	1,22	20	80	24,48	0,02	80	1,36	1959
--Z40 11 00	1720	0,7	20	34,4	14,1	0,01	80	0,99	1128
--Z40 15 00	1800	0,74	20	36	14,75	0,01	80	1,04	1180
--Z40 99 00-00	length: min. 600 - max. 4200								
--Z50 99 00-00	length: min. 600 - max. 4200								
--Z60 99 00-00	length: min. 600 - max. 4200								
--Z70 21 00	2000	1,09	10	20	10,93	0,01	80	0,86	874
--Z70 23 00	2500	1,37	10	25	13,66	0,01	80	1,08	1093
--Z70 99 00-00	length: min. 600 - max. 4200								

Deflection table

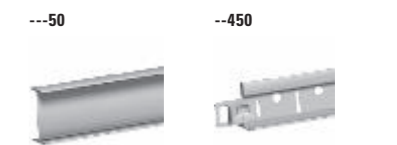
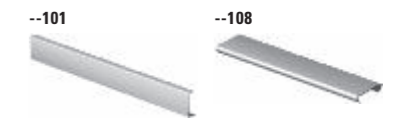
C - max. span (mm) - maximum deflection = L/500 (max = 4 mm)						
axis/axis distance A	3	5	kg/m ² of ceiling			12
			7	9	12	
--Z40	300	2790	2540	2370	2240	2100
	400	2650	2390	2220	2100	1970
	500	2540	2280	2120	2000	1870
	600	2440	2190	2030	1920	1790

C - max. span (mm) - maximum deflection = L/500 (max = 4 mm)						
axis/axis distance A	3	5	kg/m ² of ceiling			12
			7	9	12	
--Z50	300	3220	2930	2740	2600	2430
	400	3060	2770	2580	2440	2280
	500	2930	2640	2450	2320	2170
	600	2830	2540	2360	2220	2080

C - max. span (mm) - maximum deflection = L/500 (max = 4 mm)						
axis/axis distance A	3	5	kg/m ² of ceiling			12
			7	9	12	
--Z60	300	3460	3160	2960	2810	2640
	400	3290	2990	2780	2640	2470
	500	3160	2850	2650	2510	2350
	600	3050	2740	2550	2400	2250

C - max. span (mm) - maximum deflection = L/500 (max = 4 mm)						
axis/axis distance A	3	5	kg/m ² of ceiling			12
			7	9	12	
--Z70	300	3770	3450	3230	3070	2880
	400	3590	3260	3040	2880	2700
	500	3450	3120	2900	2740	2570
	600	3330	3000	2790	2630	2460

Accessories



For the complete overview, please consult page 128 onwards.

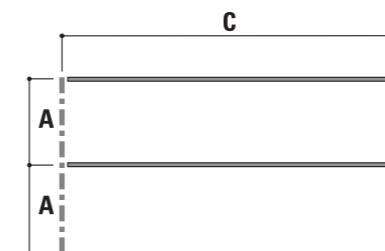
Wall angles

-1420 -1439 -1466



-1420--001	3050	0,64	40	122	25,47	0,01	60	0,79	1528
-1439--001	3050	0,57	40	122	22,98	0,01	60	0,6	1379
-1466--001	3050	0,82	35	106,75	28,88	0,02	60	1,22	1733

For the complete overview, please consult page 120 onwards.



Colours and range

The Z-systems are supplied with fully galvanised finishing.
On request, the system is also available in painted version for use in specific applications.